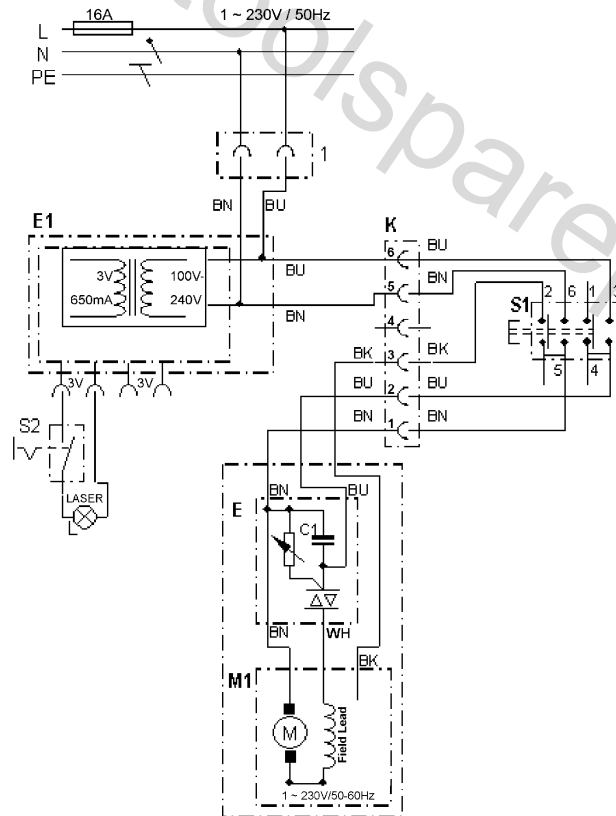


Position	Amount	Type number	Description	PG
1	1	1395739162	SAW SPINDLE BOLT M 8x20 left	20
2	1	1482736560	Blade collar, outer	22
3	1	1485221618	Blade collar, inner	23
4	1	1010739469	Wheel guard KGS 216 Plus	39
5	1	1010739477	Swivel lever compl. KGS 216 Plus	25
6	1	8056736540	Transformator KGS Plus	31
7	1	1010739205	Laser compl. KGS 216/254 Plus	34
8	3	141123670	Flat headed screw	10
9	1	8243740097	GROMMET	10
10	1	7233739493	Poly-rib belt 5 PJ 381 KGS 216	30
11	1	1010739248	Intermediate shaft KGS 216/254/315 Plus	34
12	1	1381739500	Belt guard KGS 216 Plus	25
13	1	1010739230	Saw blade arrest compl.	20
14	1	7051722854	Pressure spring	13
15	1	1380739255	POLY-RIB PULLEY KGS 216/254/315 Plus	34
16	1	1010739035	Transportation lock compl. KGS 216/254/3	19
18	1	7231703351	COGGED BELT HTD 300-5M-20 CXP KGT300	29
19	1	7051711623	Pressure spring	11
20	1	1381736799	lock lever lower Guard	10
21	1	1010739132	Saw blade shaft compl. KGS 216/254/315	34
22	1	1394729177	Rear lower guard KGS 216 Plus	20
23	1	1010739515	Safety guard compl. KGS 216 Plus	24
24	1	7051739528	Return spring KGS 216	11
25	1	1381739488	Plastic strip KGS 216	12
26	1	6400736810	Retaining ring shaft	10
27	1	1010736893	Flange bolt	33
30	1	1010739574	Auxiliary guide compl. KGS 216 Plus	31
31	2	1010736257	bevel stop compl. KGS Plus	14
32	1	1010739108	Pointer compl. KGS 216/254/315 Plus	34
33	1	1010739124	Catch clamb compl KGS 216/254/315 Plus	34
36	1	1010739116	Table insert compl. KGS 216/254/315 Plus	20
37	1	1010739639	Turntable compl. KGS 216 Plus	53
38	1	1010739140	Turntable Accessories KGS 216 Plus	31
39	1	1010739655	Control grip compl. KGS 216 Plus	25
40	1	1388739610	Slide block KGS 216 Plus	15
41	1	1010739590	Table side extension left KGS 216 Plus	47
42	1	9102076823	ALLEN HEXAGON KEY SW 2,5 SCHWARZ	10
43	1	9102689833	ALLEN HEXAGON KEY	16
44	2	341704570	Star grip screw	13
45	4	341147920	Rubber foot	20
46	1	1010740297	Table KGS 216 Plus	53

47	1	1010739604	Table side extension left KGS 216 Plus	36
48	2	1010737555	Extension detent compl. KS 254/305	21
49	1	1010739582	Stop compl. KGS 216 Plus	35
50	4	6132002060	HEX.SOCKETS COUNTERS.HEAD SCREW	10
51	2	341704580	Star grip screw	13
60	1	1010739400	End cap KGS 216/254	34
61	1	343081380	Electronic unit	37
62	1	1381737167	Connector cover	13
63	1	1010739043	Carbon brush compl.,230V	24
64	1	8011739270	STATOR 230V KGS 216 Plus	36
66	1	1010739078	Amature 230V compl. KGS 216 Plus	42
67	1	1010739450	Motor compl. KGS 216	54
68	1	7631740116	Gasket	12
69	8	341702050	Screw	10
70	1	1010736168	Handle compl.	31
71	1	8111737712	On-off switch KS 254/305	27
73	3	6143661561	Fillister head screw w.flange	10
74	1	339135110	Retaining sheet	10
80	1	8402736722	Strain relief	10
81	1	1380739530	stabilizer KGS 216 Plus (Rear Pivot)	29
82	6	6164029245	Grub screw w.internal hexagon	10
83	1	1381691566	DUST EXTRACTION PORT 44/35-44/32	16
84	2	1385739547	Feed rod KGS 216	48
85	1	1381736535	Suction hose	16
86	1	7051736600	Coil spring	11
87	1	1381736594	Cover cap	12
89	1	1385736505	Motor head axle	21
90	1	1485735689	Stop screw	19
91	1	1381739550	Cover pivot rear KGS 216 Plus	19
92	1	8402737230	Cable with CH plug 2x1,0x2900	26
93	1	341702050	Screw	10
96	1	1010739426	Rep-Set linear-bearing compl.	34
97	1	7631738677	Sealing washer	11
98	2	1381736497	Bushing (torsion spring bush)	10
99	1	7051736413	Pressure spring	10
100	1	1380736787	Depth stop	19
101	1	1381736519	Control knob	13
102	1	6143736880	Knurled thumb screw	11
103	1	6104220876	Hex fit bolt	13
104	1	1380739565	Swivel Casting KGS 216 Plus (Front Pivot)	34
105	1	1010739027	Clamping lever compl. KGS 216/254/315 Pl	30
106	1	141132000	Hex nut self-locking	11

107	1	6300016713	Washer	10
108	1	1010737440	Work clamb assy compl. KS Plus	34
151	1	341704560	Thumbscrew	14
152	1	141123800	Fillister head screw	10
153	1	399999990	Part not needed	
154	1	1381212943	END SLEEVE JOINER	13

toolspareparts.com.au



	Litzenfarben	Colour of strands	Couleur des cordons
BK	schwarz	black	noir
WH	weiß	white	blanc
BU	blau	blue	bleu
YE	gelb	yellow	jaune
RD	rot	red	rouge
TR	transparent	transparent	transparent
BN	braun	brown	brun
GY	grau	grey	gris
GNYE	grün-gelb	green-yellow	vert-jaune
BKWH	schwarz-weiß	black-white	noir-blanc
GN	grün	green	vert
OG	orange	orange	orange
VT	violett	violet	violet
TQ	türkis	turquoise	turquoise

	Bedeutung der Kurzzeichen	Meaning of the symbols	Interprétation des symboles
B	Stecker	plug	fiche
C	Kondensator	condenser	condensateur
D	Funkentstördrossel	interference suppression inductance	inductance d'antiparasitage
E	Elektronik-Baustein	electronic unit	unité électronique
I	Induktionsspule	induction coil	bobine d'inductance
K	Klemme	terminal	borne
L	Licht	light	lumière
M	Motor	motor	moteur
O	Überlastschutz	overload cut-out	déclencheur de surintensité
R	Drehrichtungsumschalter	reversing switch	commutateur droite-gauche
S	Schalter	switch	interrupteur
U	Umschalter	change-over switch	commutateur
X	Elektronik-Element	electronic element	élément électronique